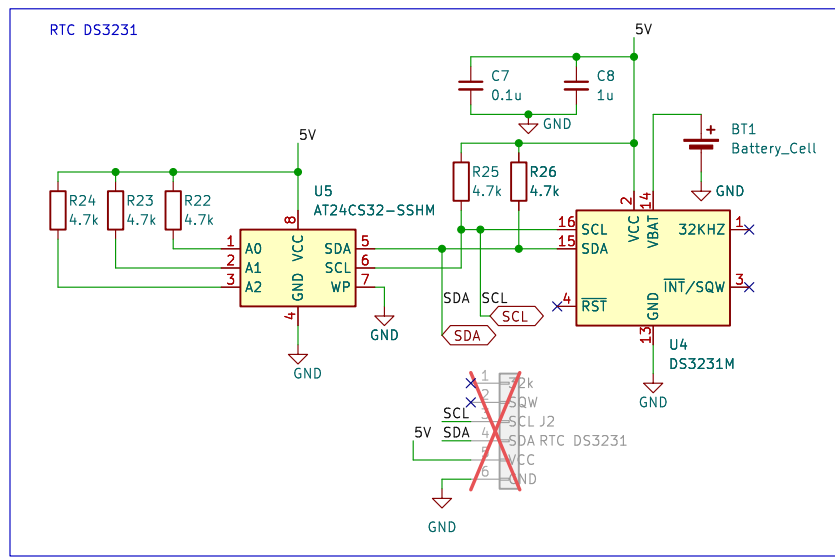


Sheet: /
File: IronMasque.kicad_sch

Title: IronMasque Module Bras

Size: A Date:
KiCad E.D.A. 8.0.2

Rev:
Id: 1/2



Sheet: /rtc/	
File: rtc.kicad_sch	
Title:	
Size: A	Date:
KiCad E.D.A. 8.0.2	Rev: Id: 2/2